



Compact Glass

SISO-110



-high quality furniture fittings

COMPACT GLASS

DOWNLOADS
LIBRARY



— EN

SISO-110 is a compact sliding solution for frameless glass panels, combining latest technology with an attractive minimalist design. The system is quick and easy to install, and is particularly appropriate for domestic and commercial applications, where it integrates seamlessly into any design.

There is a choice between different braking systems: anti-shock, retaining brake and our new **SOFTPRO** system, an exceptional solution for a smooth and quiet sliding action with an effective, powerful yet at the same time gentle soft closing and or opening action. In this way a pleasing aesthetic performance is combined with enhanced safety; fingers are protected from becoming trapped on the closing cycle of the glass panel, which itself is also protected from impact damage.



Technical characteristics

Profiles

STANDARD



59x60 mm

FIXED GLASS



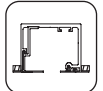
59x70 mm

FRAME



76x61 mm

FT



76x61 mm

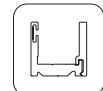
I FIXED GLASS



76x61 mm



17x12 mm



21x20 mm

Specifications

FRAME



10-12 mm



10 mm



Anti shock
MIN.650 mm



1 Softpro
MIN.725 mm



Softpro Doble
MIN.1020 mm



MAX. 110kg



ANTI
SHOCK



AVAILABLE



BALL BEARING

Weight

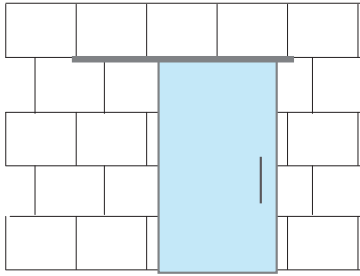
110 kg

Certificated product

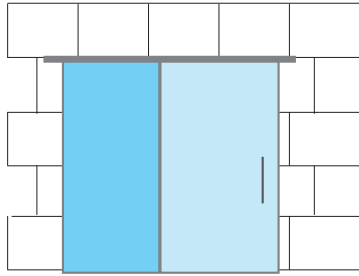


Installation possibilities

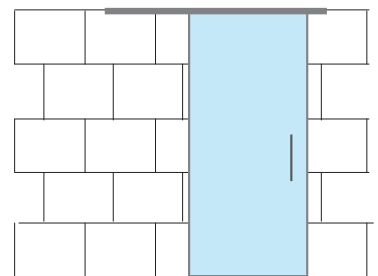
WALL



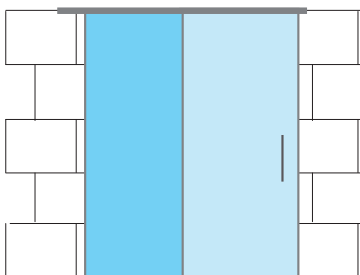
WALL WITH FIXED PANEL



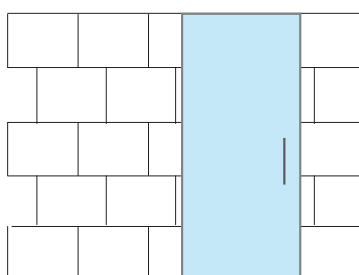
CEILING



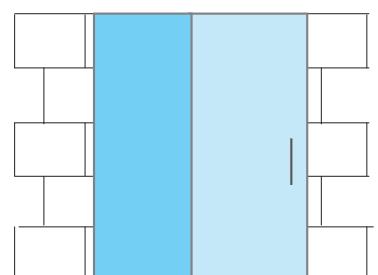
CEILING WITH FIXED PANEL



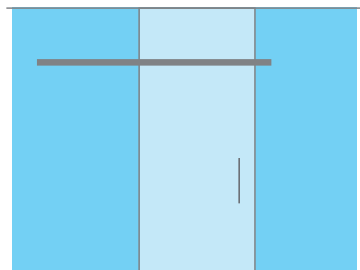
FALSE CEILING



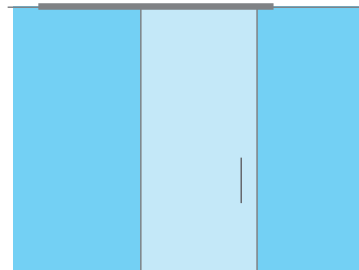
FALSE CEILING WITH FIXED PANEL



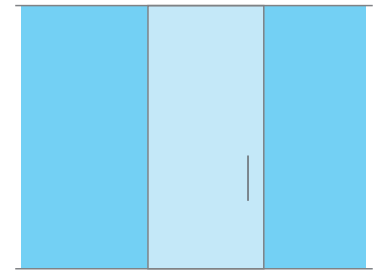
GLASS WALL



CEILING WITH FIXED PANEL



FALSE CEILING WITH FIXED PANEL



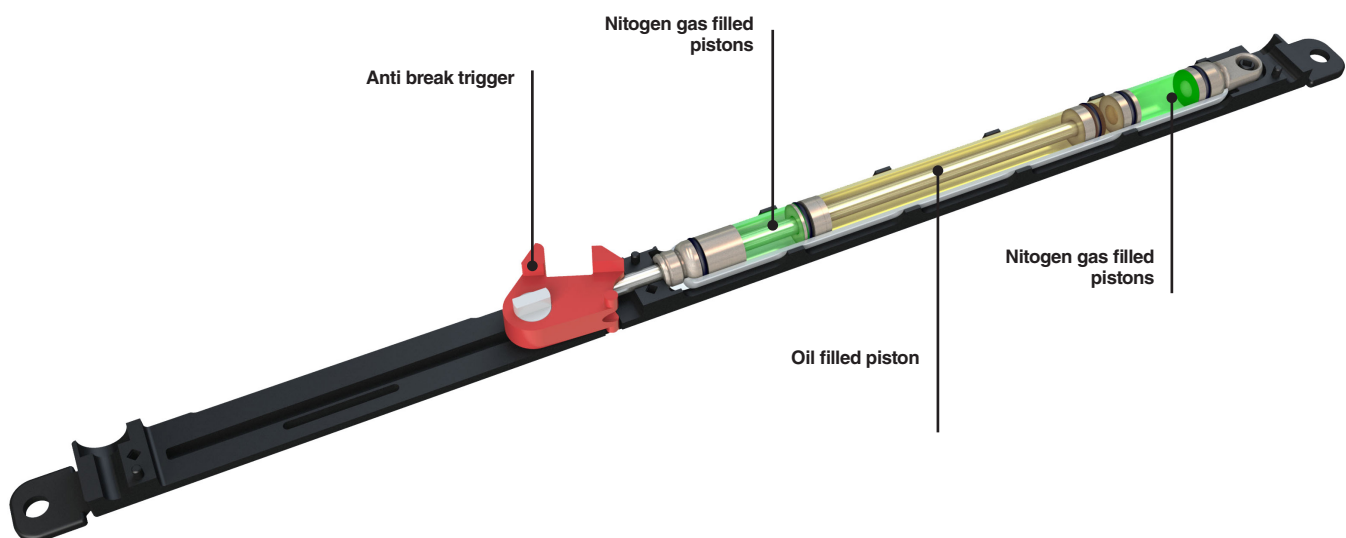
-  SLIDING DOOR
-  FIXED GLASS

SOFTPRO[®]

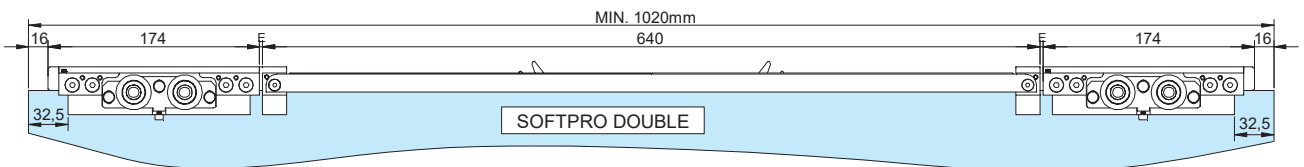
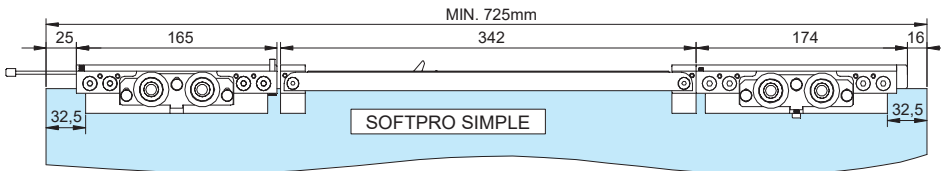
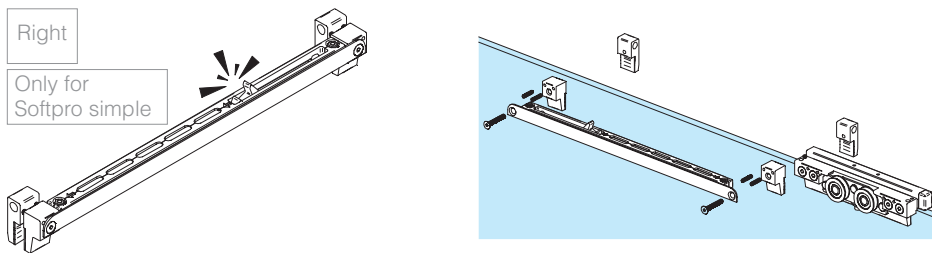
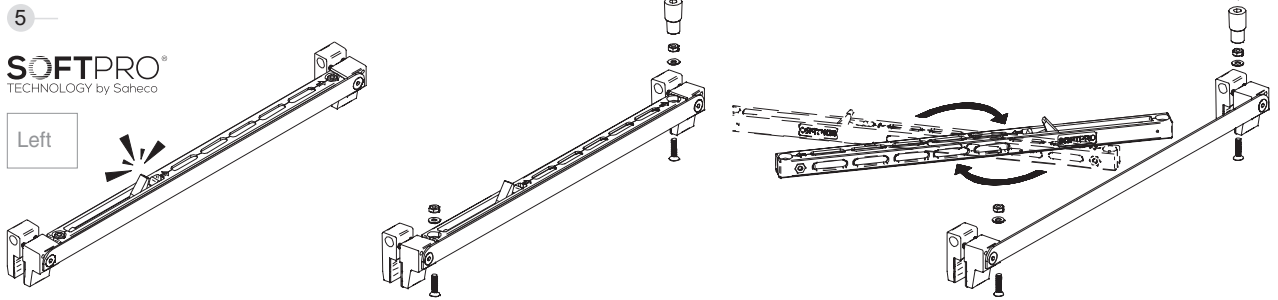
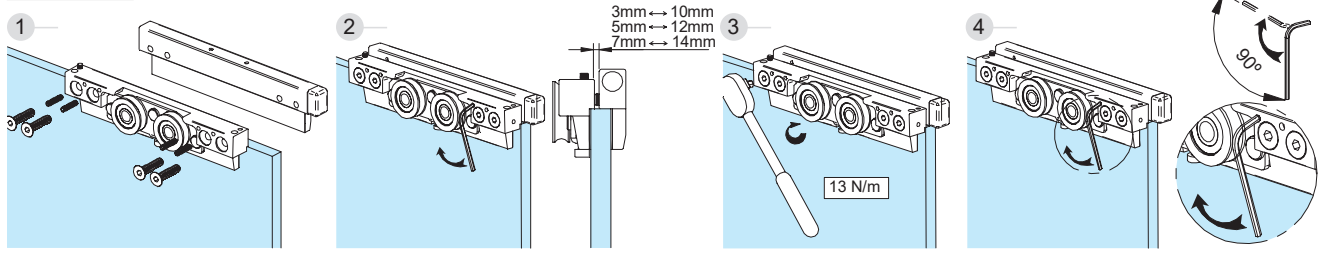
TECHNOLOGY by SISO

The new soft-closing technology from Saheco which combines two nitrogen gas filled pistons and one oil filled piston all within the same unit

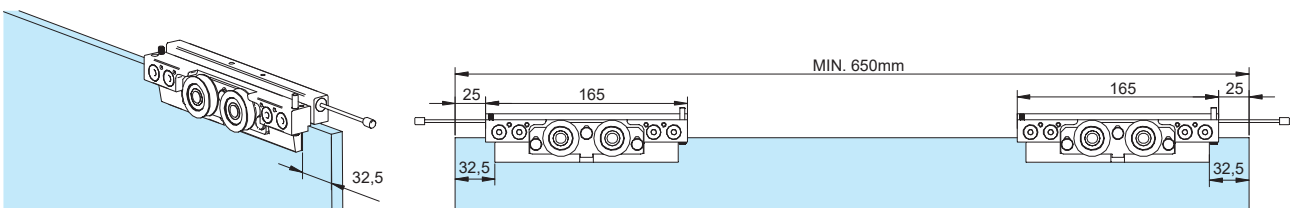
- Fully adjustable closing speed
- Closing action is progressive and slows down as the door approaches the fully closed position
- Soft Closing
- Anti break feature on the trigger
- Ensures safe braking and prevents bouncing of the door | Assure un freinage sûr et empêche la porte de rebondir
- Combines an aesthetically pleasing action with safe soft closing of the door



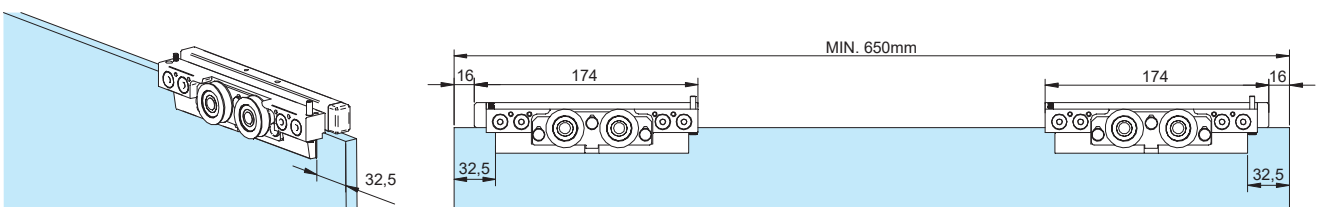
MONTAGE

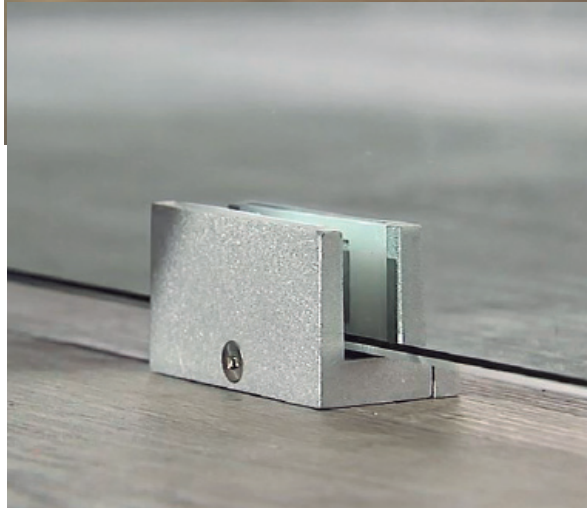


ANTI-SHOCK



RETAINING STOPPER

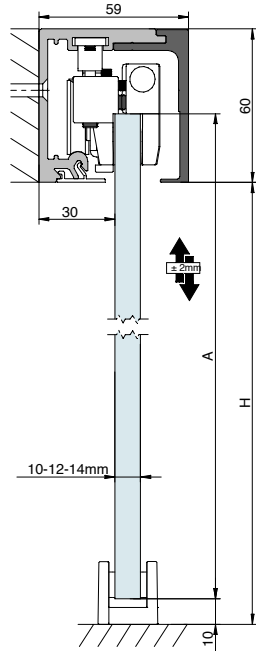




Cross-section

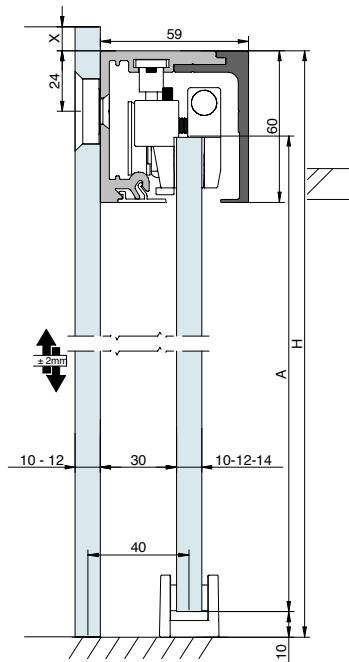
(Dimensions in mm)

WALL MOUNTING



$A = H + 17$

GLASS WALL



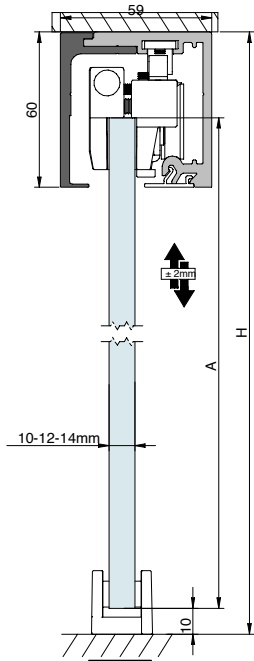
$A = H - 43$

$G = H + X$

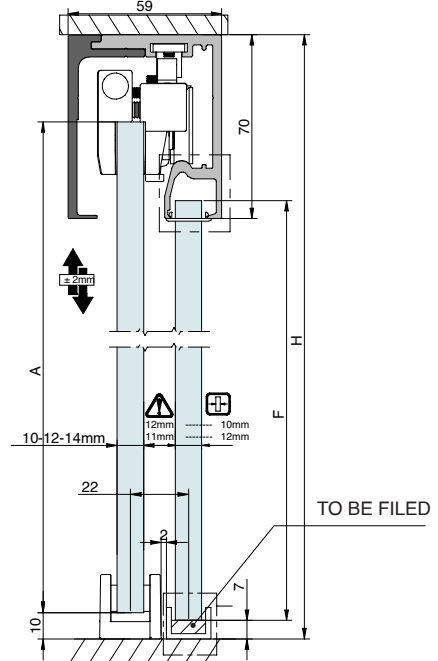
Cross-section

(Dimensions in mm)

CEILING MOUNTING



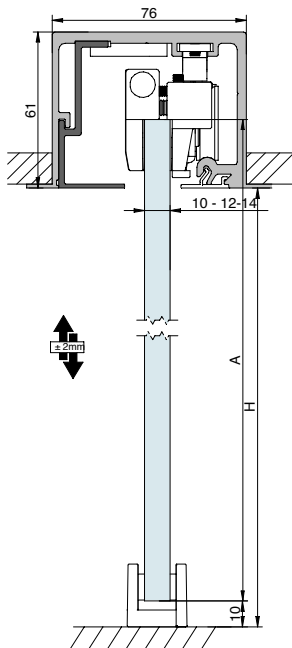
A= H-43



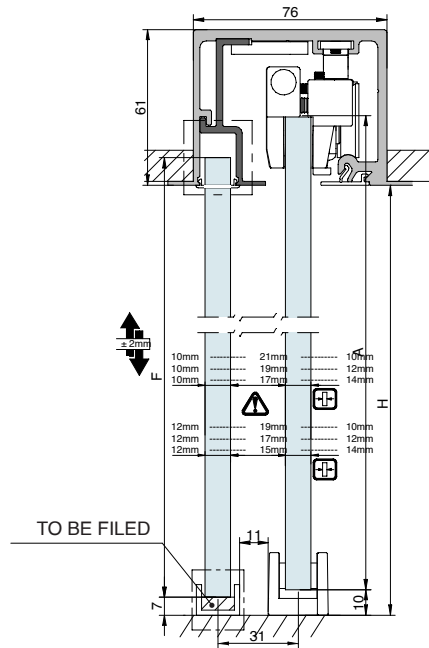
A= H-43

F= H-70

FALSE CEILING MOUNTING



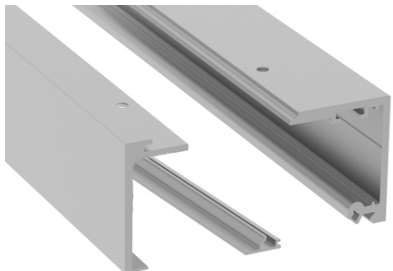
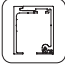
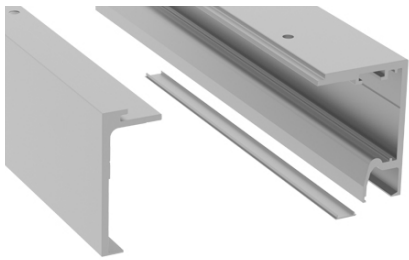

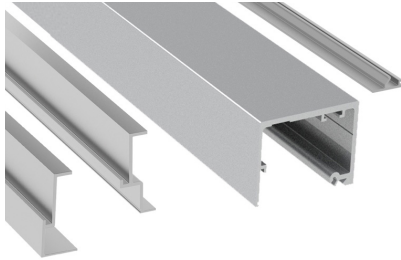

A= H+17



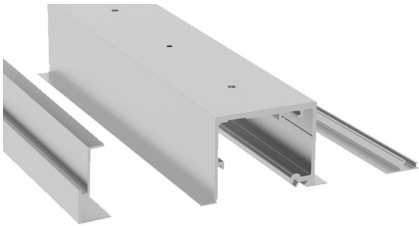

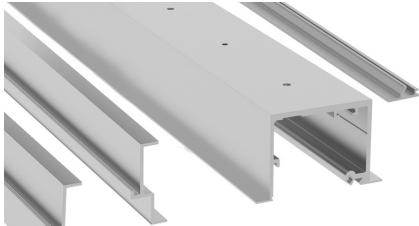

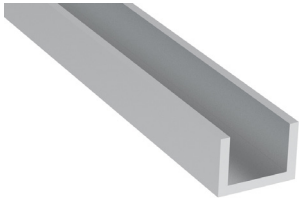

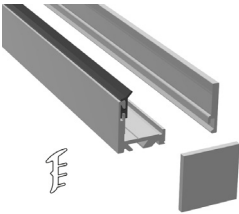

A= H+17

F= H+4

Components

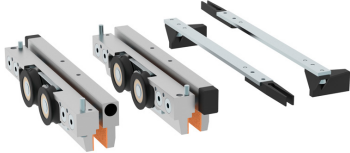

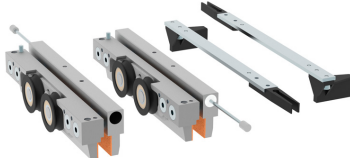







PROFILES	Finish	Item No.		
 <p>Sliding top track set</p>  <p>59x60mm</p>	S	0 109 20	2 m	1 set
		0 109 30	3 m	
		0 109 40	4 m	
		0 109 60	6 m	
	BS	0 109 21	2 m	
		0 109 31	3 m	
		0 109 41	4 m	
		0 109 61	6 m	
	WL	0 119 20	2 m	
		0 119 30	3 m	
		0 119 40	4 m	
		0 119 60	6 m	
BL	0 119 24	2 m		
	0 119 34	3 m		
	0 119 44	4 m		
	0 119 64	6 m		
 <p>Sliding top track set for fixed glass</p>  <p>59x70mm</p>	S	0 109 22	2 m	1 set
		0 109 32	3 m	
		0 109 42	4 m	
		0 109 62	6 m	
	BS	0 109 23	2 m	
		0 109 33	3 m	
		0 109 43	4 m	
		0 109 63	6 m	
	WL	0 119 21	2 m	
		0 119 31	3 m	
		0 119 41	4 m	
		0 119 61	6 m	
BL	0 119 25	2 m		
	0 119 35	3 m		
	0 119 45	4 m		
	0 119 65	6 m		
 <p>Sliding top track set for Frame accessory</p>  <p>76x61mm</p>	S	0 109 86	2 m	1 set
		0 109 87	3 m	
		0 109 88	4 m	
		0 109 89	6 m	
	WL	0 111 86	2 m	
		0 111 87	3 m	
		0 111 88	4 m	
		0 111 89	6 m	
	BL	0 109 94	2 m	
		0 109 95	3 m	
		0 109 96	4 m	
		0 109 97	6 m	

Components

PROFILES	Finish	Item No.	Length	Quantity
 <p>FT sliding top track set. False ceiling mounting</p>  <p>76x61mm</p>	S	0 109 24	2 m	1 set
		0 109 34	3 m	
		0 109 44	4 m	
		0 109 64	6 m	
	BS	0 109 25	2 m	
		0 109 35	3 m	
		0 109 45	4 m	
		0 109 65	6 m	
	WL	0 119 22	2 m	
		0 119 32	3 m	
		0 119 42	4 m	
		0 119 62	6 m	
	BL	0 119 26	2 m	
		0 119 36	3 m	
		0 119 46	4 m	
		0 119 66	6 m	
 <p>FT sliding top track for fixed glass set. False ceiling mounting</p>  <p>76x61mm</p>	S	0 109 26	2 m	1 set
		0 109 36	3 m	
		0 109 46	4 m	
		0 109 66	6 m	
	BS	0 109 27	2 m	
		0 109 37	3 m	
		0 109 47	4 m	
		0 109 67	6 m	
	WL	0 119 23	2 m	
		0 119 33	3 m	
		0 119 43	4 m	
		0 119 63	6 m	
	BL	0 119 27	2 m	
		0 119 37	3 m	
		0 119 47	4 m	
		0 119 67	6 m	
 <p>Bottom track for fixed glass of 8-10-12mm</p>  <p>17x12mm</p>	S	00 87 34	3 m	1 profile
	BS	00 84 34		
	WL	00 71 91		
	BL	00 71 81		
 <p>Bottom track front entry for fixed glass of 8-10-12mm</p>  <p>21x20mm NEW</p>	S	0 110 32 ¹	3 m	1 profile
	BS	0 110 33 ¹		
	WL	0 110 34 ¹		
	BL	0 110 35 ¹		

¹This profile includes PVC joints + set of end caps | 2 m - 2 set of caps | 2 set de caupuchons finals | 3 m - 4 set of caps | 6 m - 6 set of caps

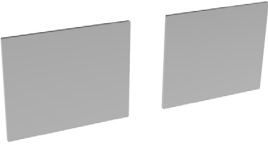

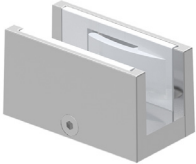

Components

SETS	Finish	Item No.		
 <p>SISO-110 Fitting set. x2 Retaining stopper</p> <p>110kg per panel</p>  <p>BALL BEARING</p>		0 109 00		1 set
 <p>SISO-110 Fitting set x2 Anti-shock</p> <p>110kg per panel</p>  <p>BALL BEARING</p>		0 109 01		1 set
 <p>SISO-110 Fitting set with double SOFTPRO</p> <p>110kg per panel</p>   <p>BALL BEARING</p>		0 109 02		1 set
 <p>SISO-110 Fitting set x1 Retaining stopper + x1 SOFTPRO</p> <p>110kg per panel</p>   <p>BALL BEARING</p>		0 109 03		1 set

Components

SETS		Item No.								
	<p>SISO-110 Fitting set x1 Retaining stopper + x1 Anti-shock</p>	<p>110kg per panel</p>		<p>BALL BEARING</p>	<p>0 109 04</p>	<p>1 set</p>				
	<p>SISO-110 Fitting set x1 Anti-shock + x1 SOFTPRO</p>	<p>110kg per panel</p>		<p>BALL BEARING</p>		<p>0 109 05</p>	<p>1 set</p>			
ACCESSORIES		Finish	Item No.							
	<p>Lateral cap set for top track. Ceiling and wall mounting</p>	<p>PPS</p>	<p>0 109 90</p>	<p>PPSS</p>	<p>0 109 91</p>	<p>PPW</p>	<p>0 119 93</p>	<p>PPB</p>	<p>0 119 95</p>	<p>1 set</p>
	<p>Lateral cap set for top track for fixed glass. Ceiling or wall mounting</p>	<p>PPS</p>	<p>0 109 92</p>	<p>PPSS</p>	<p>0 109 93</p>	<p>PPW</p>	<p>0 119 94</p>	<p>PPB</p>	<p>0 119 96</p>	<p>1 set</p>

Components

ACCESSORIES		Finish	Item No.		
	Lateral cap set for top track for accessory Frame. Ceiling mounting.	S	00 70 78	1 set	
		WL	00 70 77		
		BL	00 70 79		
	Glass wall support		00 70 84 ¹	10 pieces	
	Bottom guide for glass of 8-14mm	S	0 155 73	1 piece	
		BS	0 155 79		
		WL	00 71 90		
		BA	00 71 80		
	PVC profile gasket 2mm		00 45 82	1 m	1 piece

¹For sets that incorporate a wall support with 2m, 3m, 5m or 6m profiling, apply one for each drill hole
2 m - 10 supports wall 3 m - 15 supports wall 5 m - 25 supports wall

S Satin anodized aluminium

WL Matt white lacquered aluminium

BL Matt black lacquered aluminium


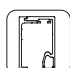
BS Stainless Steel brushed finish aluminium

BA Black anodized aluminium

Components

ACCESSORIES		Finish	Item No.				
	PVC profile gasket 3mm		00 45 87	1 m	1 pieza 1 piece 1 pièce		
	Bolts for securing 1 metre of track		0 160 73		1 juego 1 set 1 jeu		
KITS		Finish	Item No.				
	SISO-110 Kit x2 Retaining stopper 110kg per panel 59x60mm BALL BEARING		0 910 02 0 910 04	2 m 3 m	1 kit		
			0 910 01 0 910 03	2 m 3 m			
			SISO-110 Kit x2 Anti-shock 110kg per panel 59x60mm BALL BEARING			0 910 06 0 910 08	2 m 3 m
						0 910 05 0 910 07	2 m 3 m

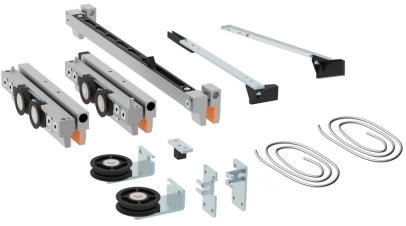





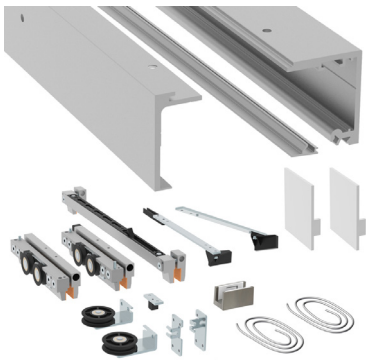



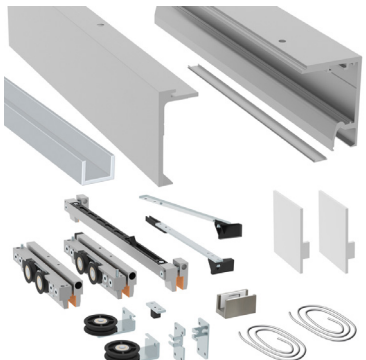



Components

KITS	Finish	Item No.		
 <p>SISO-110 Kit double SOFTPRO</p> <p>110kg per panel</p> <div style="display: flex; justify-content: space-around;"> <div style="text-align: center;">  59x60mm </div> <div style="text-align: center;">  BALL BEARING </div> <div style="text-align: center;">  SOFTPRO </div> </div>	<div style="display: flex; flex-direction: column; gap: 10px;"> <div style="background-color: #808080; color: white; padding: 2px 5px; text-align: center;">S</div> <div style="background-color: #808080; color: white; padding: 2px 5px; text-align: center;">BS</div> </div>	<div style="display: flex; flex-direction: column; gap: 5px;"> <div>0 910 10 0 910 12</div> <div>0 910 09 0 910 11</div> </div>	<div style="display: flex; flex-direction: column; gap: 5px;"> <div>2 m 3 m</div> <div>2 m 3 m</div> </div>	1 kit
 <p>SISO-110 Kit for fixed glass. x2 Retaining stopper</p> <p>110kg per panel</p> <div style="display: flex; justify-content: space-around;"> <div style="text-align: center;">  59x70mm </div> <div style="text-align: center;">  BALL BEARING </div> </div>	<div style="display: flex; flex-direction: column; gap: 10px;"> <div style="background-color: #808080; color: white; padding: 2px 5px; text-align: center;">S</div> <div style="background-color: #808080; color: white; padding: 2px 5px; text-align: center;">BS</div> </div>	<div style="display: flex; flex-direction: column; gap: 5px;"> <div>0 910 14 0 910 16</div> <div>0 910 13 0 910 15</div> </div>	<div style="display: flex; flex-direction: column; gap: 5px;"> <div>2 m 3 m</div> <div>2 m 3 m</div> </div>	1 kit
 <p>SISO-110 Kit for fixed glass x2 Anti-shock</p> <p>110kg per panel</p> <div style="display: flex; justify-content: space-around;"> <div style="text-align: center;">  59x70mm </div> <div style="text-align: center;">  BALL BEARING </div> </div>	<div style="display: flex; flex-direction: column; gap: 10px;"> <div style="background-color: #808080; color: white; padding: 2px 5px; text-align: center;">S</div> <div style="background-color: #808080; color: white; padding: 2px 5px; text-align: center;">BS</div> </div>	<div style="display: flex; flex-direction: column; gap: 5px;"> <div>0 910 18 0 910 20</div> <div>0 910 17 0 910 19</div> </div>	<div style="display: flex; flex-direction: column; gap: 5px;"> <div>2 m 3 m</div> <div>2 m 3 m</div> </div>	1 kit
 <p>SISO-110 Kit for fixed glass SOFTPRO doble</p> <p>110kg per panel</p> <div style="display: flex; justify-content: space-around;"> <div style="text-align: center;">  59x70mm </div> <div style="text-align: center;">  BALL BEARING </div> <div style="text-align: center;">  SOFTPRO </div> </div>	<div style="display: flex; flex-direction: column; gap: 10px;"> <div style="background-color: #808080; color: white; padding: 2px 5px; text-align: center;">S</div> <div style="background-color: #808080; color: white; padding: 2px 5px; text-align: center;">BS</div> </div>	<div style="display: flex; flex-direction: column; gap: 5px;"> <div>0 910 22 0 910 24</div> <div>0 910 21 0 910 23</div> </div>	<div style="display: flex; flex-direction: column; gap: 5px;"> <div>2 m 3 m</div> <div>2 m 3 m</div> </div>	1 kit

Components

FRAME ACCESSORIE Internal division set		Finish	Item No.			
<p>Perimeter frame set for sliding door</p> 10x10mm 19x10mm 39x10mm	S WL BL	0 111 22		1 set		
		0 111 41				
		0 111 27				
		<p>Internal division set</p> 10x10mm 19x10mm	S WL BL	0 111 12		1 set
				0 111 42		
				0 111 13		
<p>Perimeter frame for fixed glass. Compatible with Frame track and FT fixed glass track.</p> 17x12mm 10x10mm 19x10mm 39x10mm	S WL BL			0 111 28		1 set
				0 111 44		
				0 111 29		
		<p>Frame handles set</p>	S WL BL	0 111 14		1 set
				0 111 45		
				0 111 15		
<p>Frame handles set</p>	S WL BL			0 111 32	1 set	
				0 111 31		
				0 111 37		

Components

SELF-CLOSE ACCESSORIES SETS		Finish	Item No.		
 <p>SISO-Selfclose 110 Fitting set x1 SOFTPRO® + x1 Retaining stopper</p> <p>110kg per panel</p>   <p>BALL BEARING</p>			0 109 10		1 set
 <p>SISO-Selfclose 110 fitting set double SOFTPRO®</p> <p>110kg per panel</p>   <p>BALL BEARING</p>			0 109 11		1 set
KITS KITS KITS		Finish	Item No.		
 <p>Kit SISO-Selfclose 110 x1 SOFTPRO® + x1 Retaining stopper</p> <p>110kg per panel</p>    <p>59x60mm</p> <p>BALL BEARING</p>	<p>S</p> <p>BS</p>	<p>0 910 80 0 910 81</p> <p>0 910 82 0 910 83</p>	<p>2 m 3 m</p> <p>2 m 3 m</p>		1 kit
 <p>Kit SISO-Selfclose 110 for fixed glass x1 SOFTPRO® + x1 Retaining stopper</p> <p>110kg per panel</p>    <p>59x70mm</p> <p>BALL BEARING</p>	<p>S</p> <p>BS</p>	<p>0 910 88 0 910 89</p> <p>0 910 90 0 910 91</p>	<p>2 m 3 m</p> <p>2 m 3 m</p>		1 kit

Compact Glass

SISO-110



- high quality furniture fittings

SISO A/S

Mileparken 11 Phone: (+45) 45 830 900
DK - 2740 Skovlunde (Copenhagen) E-mail: siso@siso.dk
Denmark Web: www.siso.dk